

GRIP VPDU 10



Rugged Video Processing and Distribution Unit



Hardware

- 7th gen Intel Core i7 Mobile Processor, Quad or Hex Core
- MIL-DTL-38999 connectors
- Nvidia GPU with 1 display output
- 16GB DDR3 memory
- 60GB MSATA SLC

I/O Connections

- Serial – 1x RS422, 1x RS232
- USB – 4x USB 2.0 (option for additional 2 including USB 3.0)
- Ethernet – 4x 10/100/1000Base-T (additional available)

Environmental

- Sealed to IP67 – conduction cooled
- Operating temperature (w.r.t. baseplate) -32°C to +71°C
- Storage temperature -40°C to +85°C
- Designed to meet harsh environmental conditions, including MIL-STD-810G and RTCA/DO-160G
- EMC to MIL-STD-461E
- Resilient to large calibre gun shock

Power

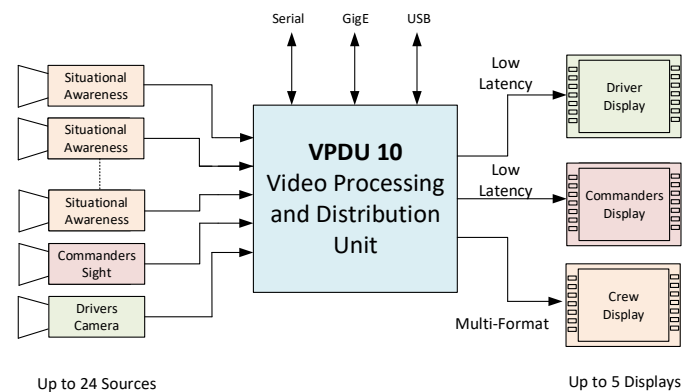
- Power – DC 18V to 36V MIL-STD-1275B
- Power consumption – 80 to 150W (configuration dependent)

Operating Systems

- Microsoft Windows embedded 10 IoT
- Ubuntu or CentOS Linux

Mechanical

- Weight 15.4lbs, 7.0kg
- Dimensions 11.53" (d) x 9.52" (w) x 3.50" (h) (293 mm x 242mm x 89mm), including connectors and flanges



Video Capture

Supports up to 24 diverse video input interfaces

- SD-SDI, HD-SDI (SMPTE 292) 720 to 1080 resolution

Video Display & Processing

Supports 5 up to independent display outputs, options including Graphic overlay and optimized HMI:

- 4x SDI or HD-SDI loop through outputs
- 1x DVI-D output (Single Link)
- Extremely low latency video output and distribution
- Target detection and tracking (DART)

Video Compression & Streaming

Flexible streaming of video and metadata over IP, options include:

- Customized SD/HD video and metadata streams
- Embedded metadata overlays
- H.264 compression for recording and streaming (NVL on request)
- Standards include DVI over Ethernet, Def Stan 00-82 and STANAG 4609.

Additional I/O

- 60 GB – 600GB SATA II (MIL) SLC/MLC (2nd SSD)
- Additional 2x GPU outputs
- MIL-STD-1553 and ARINC 429 interfaces
- Additional Serial, USB, and LAN ports
- GPIO, WiFi, GPS CANbus and others
- Embedded training mode

Designed and Manufactured in the UK

